

SPECIFICATIONS MODEL LMV-49

Model	LMV-49
Table	
Working Surface	9" x 49"
T-Slots Number and Size	3, 5/8"
Capacity	
Table Travel, X Axis	36.6"
Saddle Travel, Y Axis	12"
Ram Travel	12"
Quill Travel, Z Axis	5"
Knee Travel	16"
Spindle to Column (Min-Max)	6.75" ~18.5"
Spindle Nose to Table (Min-Max)	2.125" ~18"
Spindle	
Spindle Motor	3HP
Wiring Voltage	220v
Spindle Nose Taper	R8
Spindle [Digital Variable Speed]	60-4500 rpm
Quill Feed 3 Speed (IPR)	0.0015", 0.003", 0.006"
Head Swivels	360°
Head Tilt, Right-to-Left	45°
Head Tilt, Up-and-Down	45°
General	
Floor Area	52" x 55"
Machine Height	82.7"
Machine Net Weight (Approx. Lbs)	2280 Lbs

* Power foundation and environmental controls are required



Sharp Industries, Inc.

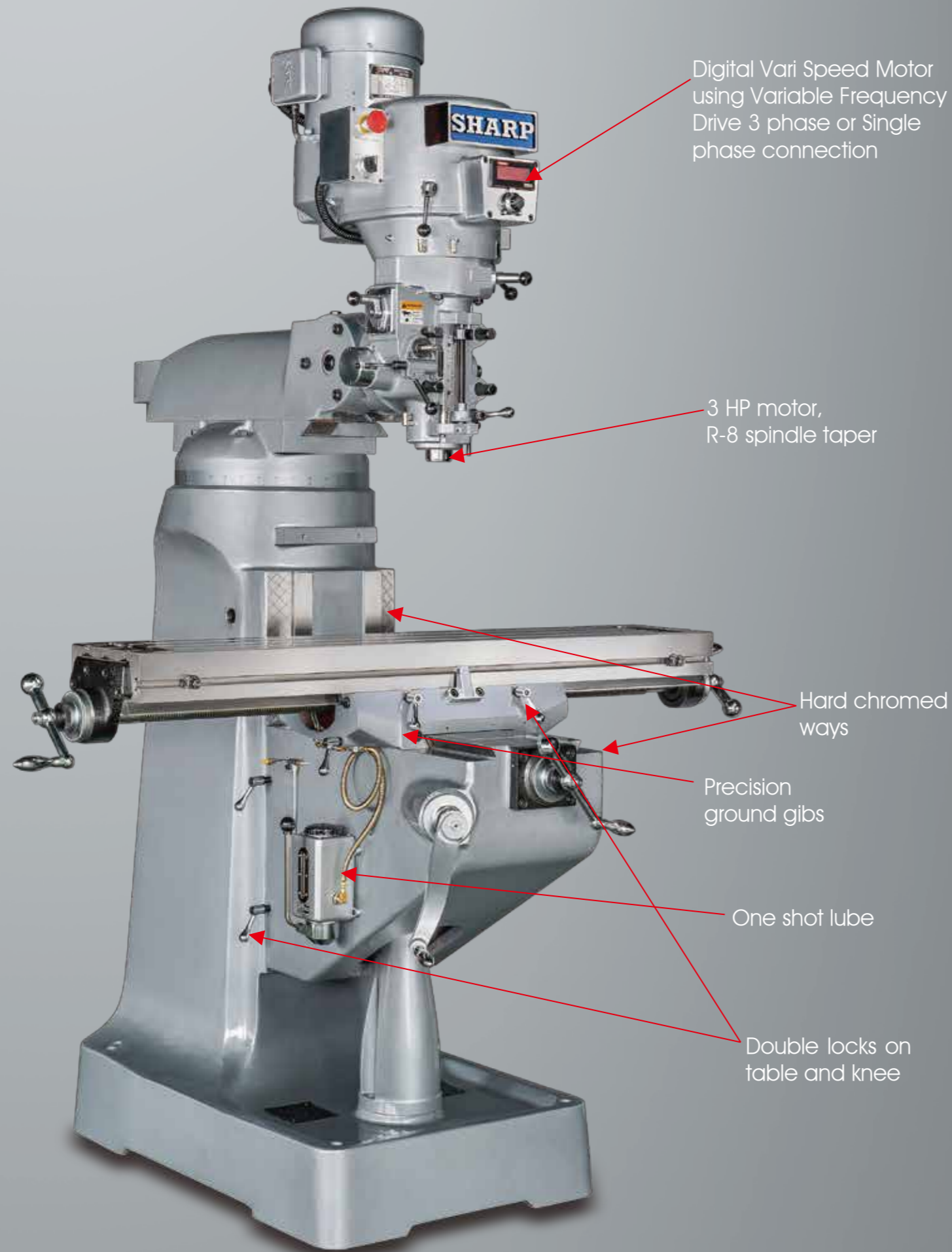
3501 Challenger Street Torrance, CA 90503
 Tel 310-370-5990 Fax 310-542-6162
 Email: info@sharp-industries.com
 Parts: parts@sharp-industries.com
 Sales: sales@sharp-industries.com
 Support: support@sharp-industries.com
www.sharp-industries.com

2015.05.2000

KNEE TYPE VERTICAL MILLING MACHINE MODEL LMV-49



MODEL LMV-49



Digital Vari Speed Motor using Variable Frequency Drive 3 phase or Single phase connection

3 HP motor, R-8 spindle taper

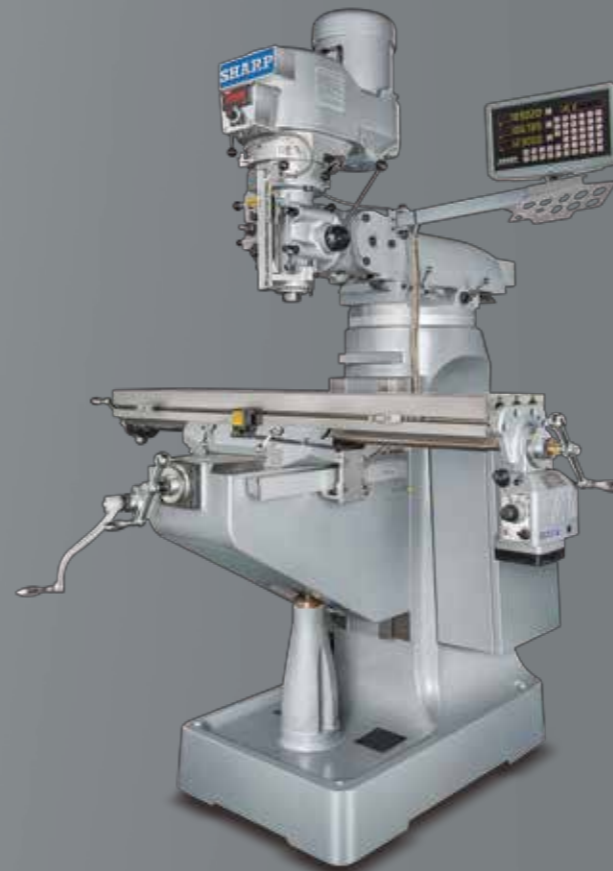
Hard chromed ways

Precision ground gibs

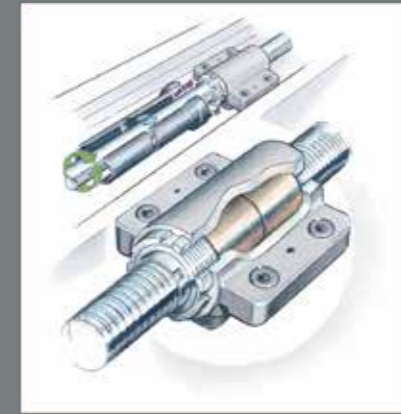
One shot lube

Double locks on table and knee

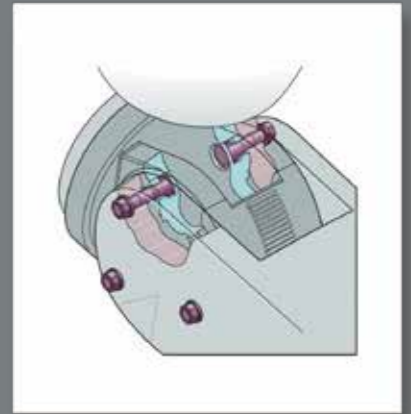
- 9" x 49" table
- 36.6" x 12" travel
- 3 HP motor
- R-8 spindle taper
- Digital Vari Speed
- Certified Meehanite Castings



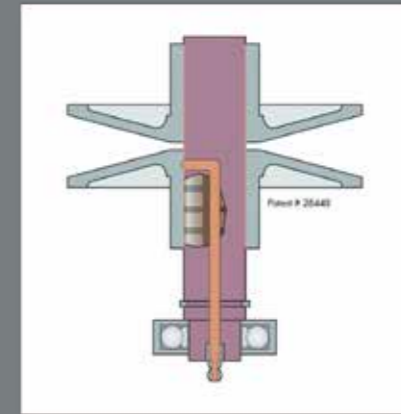
LMV-49K
Package with DRO, power table



Backlash Eliminator By Double Nut Design replaces the older design that squeezes a split nut to get rid of backlash. Sharp is the first one to use a double nut design that keeps the feed screw in contact with a pair of bronze nuts. Using a custom tool supplied with the mill, the feed nuts are adjusted to control backlash and held tight with a retaining nut and locking ring.



The New Patented Knuckled-Head Design prevents the head from slipping. The Sharp mills have a knuckle which uses 6 bolts, 3 each side, fitted into circular T-slots with matching nuts securing them from the outside. It locks the head in place for better accuracy and performance than the old design using only 3 bolts to squeeze the casting to hold the head without the T-slots.



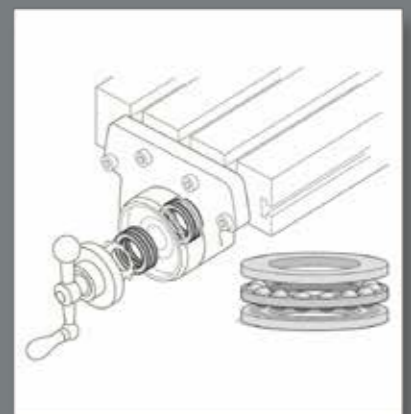
Easy Access Lubricating Shaft is designed with an oil channel in the center that is fed by a grease fitting at the lower end.



Roller Bearing Support at the bottom of the motor shaft ensures proper loading, support and alignment of the spindle. It also prevents the distortion of the belts due to tension from long years of milling operation.



Dual High Output Fan dissipates heat to protect the motor, belts and bearings.



Thrust Bearings mounted at the end of the table and saddle pre-load the feed screw, eliminating end play for precisely controlled lateral movements.